

User Manual

Packing List

Open the box of the product and carefully unpack it. The box should contain the following items. Please check before installation, if any missing, please contact your dealer immediately.

Items	Quantity
Switch	1 pc
AC Power Cable	1 pc
Mounting Accessory	1 set
Quick Installation Guide	1 pc

Product Introduction

This series products are 16-Port/24-Port Gigabit PoE + 2-Port Gigabit SFP + 2-Port Gigabit Copper Ethernet Switch.

This series switches provide 16/24 Gigabit Ethernet RJ-45 downlink ports, 2 Gigabit Ethernet RJ-45 uplink ports and 2 Gigabit SFP uplink ports. All RJ-45 downlink ports support Power-over-Ethernet (PoE+) and deliver up to 30W power per port.

The switches support working in three modes: default, VLAN, and flow control. It can be widely used in video security monitoring systems, network projects, etc.

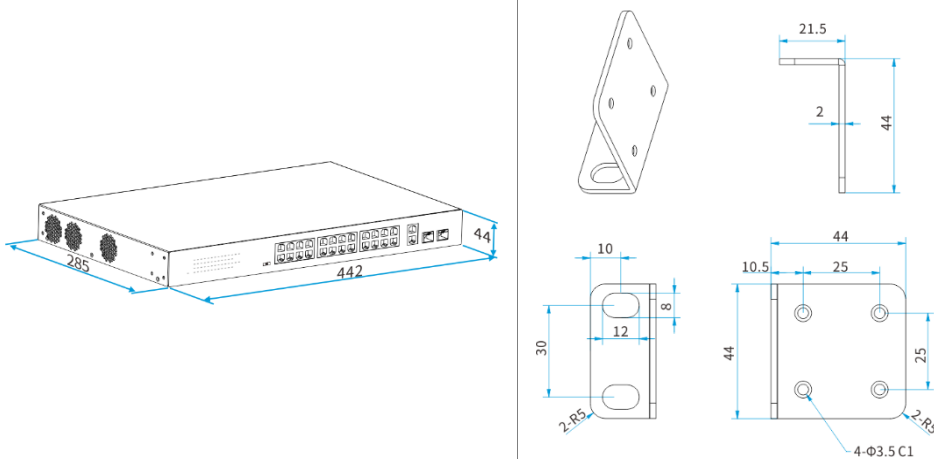
This series contains two types:

- 16-Port Gigabit PoE + 2-Port Gigabit SFP + 2-Port Gigabit Copper Ethernet Switch (Short for 16-Port PoE Switch)
- 24-Port Gigabit PoE + 2-Port Gigabit SFP + 2-Port Gigabit Copper Ethernet Switch (Short for 24-Port PoE Switch)

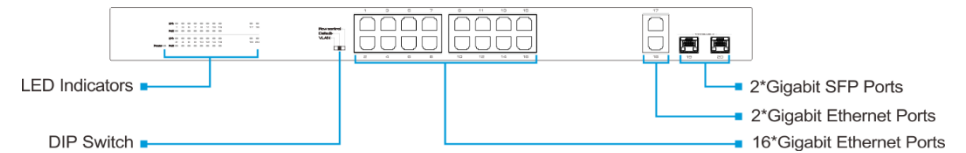
Hardware Introduction

The two types are of the same dimensions. Here takes 24-Port PoE Switch as example

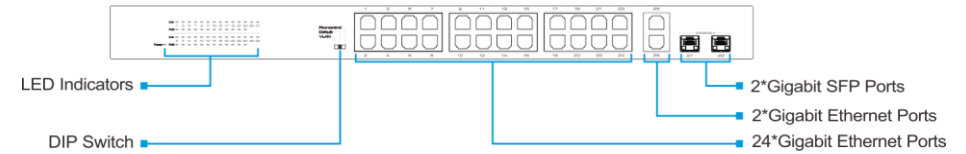
Dimensions (mm)



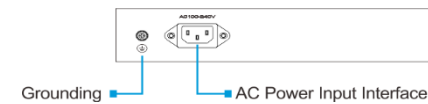
Front Panel (16-Port PoE Switch)



Front Panel (24-Port PoE Switch)



Rear Panel (16-Port/24-Port PoE Switch)



Led Indicators

Indicators	Status	Descriptions	
Power	Power Supply Indicator	On	The main power supply is working.
	Off	The main power supply is off.	
Link	Port Link Indicator	On	The port is linking normally.
		Blink	The port is transmitting or receiving data.
		Off	The port links down.
PoE	Port PoE Indicator	On	The port is supplying PoE normally.
		Off	The port stops supplying PoE.

DIP Switch

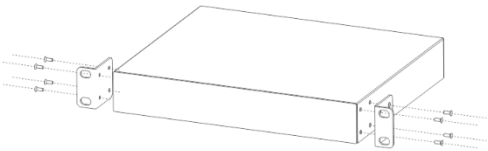


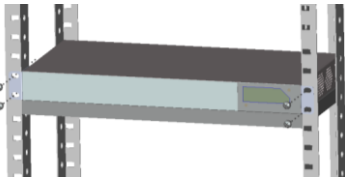

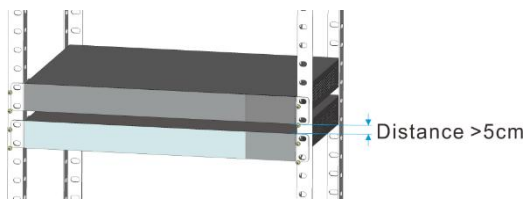
Status	Descriptions
Default	Default mode. All ports are free to communicate.
VLAN	Downlink ports are isolated from each other, but can communicate with uplink ports.
Flow control	Enable flow control function. This mode is suitable for video surveillance transmission.

Note:

After changing the working mode, please power on the device again to enter the corresponding mode.

Installation Steps

- 1) Before installation, please disconnect the power supply of each signal source and equipment. Live installation may damage the transmission equipment.
- 2) The switch supports 19-inch rack, desktop and wall-mounted installations. Users can install the switch in a rack, or place it on a clean, stable, grounded workbench, or on the vertical, stable wall. The 19-inch rack installation steps are shown in the following table:

<p>Step 1: Fix the hangers on the side of the switch.</p> 	<p>Accessories</p> <p>2* </p> <p>8* </p>
<p>Step 2: Install the switch on the rack with screws in the package.</p> 	<p>Accessories</p> <p>4* </p>
<p>Step 3: Continue to install other devices in the rack. The distance between the devices should be more than 5cm.</p>  <p>Distance >5cm</p>	<p>Accessories</p> <p>N/A</p>

- 3) After step 2) is completed, please use Cat5 or better cables to connect the switch and the device.
- 4) Check the installation and the wiring, after confirming that the connection is correct and reliable, power on the switch.

The installation is complete.

CAUTION

- Power on the system only after confirming that the wiring is correct, to avoid damage to the equipment.
- For better transmission performance, it is recommended to use Cat5 or better cables to connect the switch and powered devices.
- For better protection performance, it is recommended always to make the ground connection first and disconnect it at the end when operating the unit.
- Each PoE RJ-45 port can provide a maximum power of 30W for a powered device. Please do not connect to a powered device with a power exceeding 30W.
- Before operating or maintaining the switch, please read the user manual carefully to avoid equipment damage caused by misoperation.

Specifications

Items	UTP3-GSW1604TS-P200	UTP3-GSW2404TS-P420
Ethernet Ports		
Downlink Ports	16*10/100/1000 Base-T PoE RJ-45 (Auto-MDI/MDI-X)	24*10/100/1000Base-T PoE RJ-45 (Auto-MDI/MDI-X)
Uplink Ports	2*10/100/1000 Base-T RJ-45, 2*1000 Base-X SFP(Mini-GBIC)	
PoE		
PoE Standard	IEEE 802.3af/at(PSE)	
PoE Power Supply Type	End-span	
PoE Pin Assignment	1/2(+), 3/6(-)	
PoE Power Output	53.5V DC	54.5V DC
PoE Power	30W max for each port, 175W max	30W max for each port, 390W max
Switch Property		
Standards	IEEE802.3, IEEE802.3u, IEEE802.3ab, IEEE802.3z, IEEE802.3X	
Forwarding Modes	Store and Forward	
Packet Buffer	4Mbyte	
MAC Table	8k	
Switching Capacity	40Gbps / non-blocking	56Gbps / non-blocking
Packet Forwarding Rate	29.8Mpps	41.7Mpps
Power Supply		
Input Voltage	100V~240V AC, 50/60Hz	
Power Consumption	200W (Including PoE)	420W (Including PoE)
Reliability		
Surge Immunity	6kV, Standard: IEC6000-4-5	
ESD	6 kV Contact Discharge, 8kV Air Discharge, standard: IEC61000-4-2	
Operating Temperature	-10°C~50°C	
Storage Temperature	-40°C~85°C	
Operating Humidity	5%~95% (Non-condensation)	
Physical Parameters		
Led Indicators	1*PWR Indicator 16*Downlink Port Link Indicators 16*Downlink Port PoE Indicators 4*Uplink Port Link Indicators	1*PWR Indicator 24*Downlink Port Link Indicators 24*Downlink Port PoE Indicators 4*Uplink Port Link Indicators
Dimension(W*D*H)	442mm*285mm*44mm	
Gross Weight	5000g±60g	5350g±60g
Net Weight	3800g±40g	4150g±50g
Material	Metal shell	
Installation	Rack mounted /desktop/wall mounted	
Certifications		
Certifications	CE, FCC	

Version,V2.0, updated 2020.12.17.

The information in this document is subject to change without notice.

Every effort has been made in the preparation of this document to ensure accuracy of the contents, but all statements, information, and recommendations in this document do not constitute a warranty of any kind, express or implied.